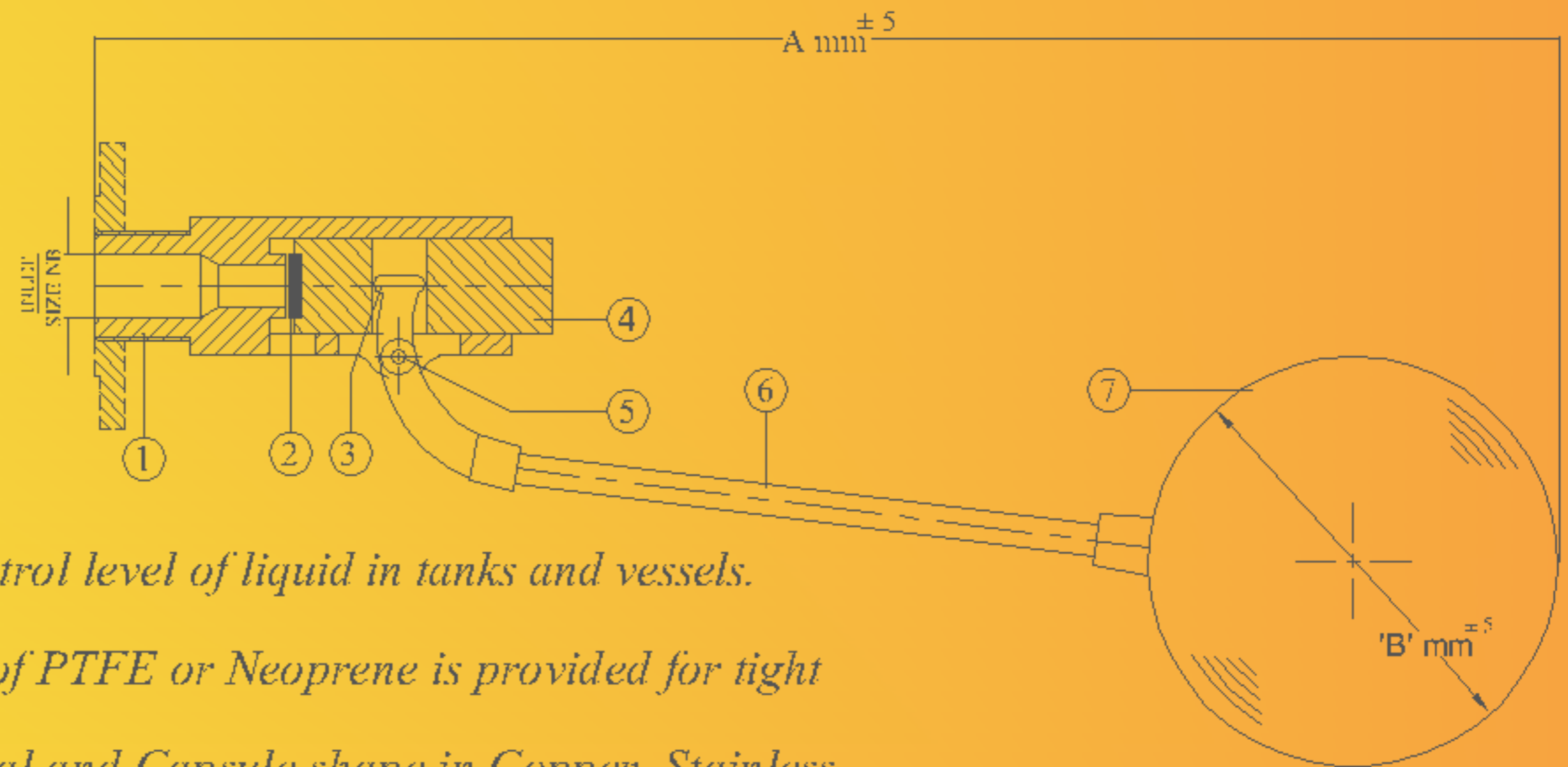




# FLOAT VALVE

MODEL NO: FFV-100



*Teleflo premium quality float valves are used to control level of liquid in tanks and vessels.*

*They are operated by lever operated float. Soft seat of PTFE or Neoprene is provided for tight shut off. Floats are available in Spherical, Cylindrical and Capsule shape in Copper, Stainless*

*Steel PP/PVC/PTFE. Float valves are available in Bronze, SS 304, SS 316, PP/PVC/PTFE. Size*

*from 15 NB to 300 NB available for horizontal, vertical or in-line installation.*

## NOTES :

- 1) PLUNGER/ PISTON TYPE.
- 2) HYDRO TEST @ 1.5 TIMES DESIGN PRESSURE
- 3) CONNECTION : SCREWED/ FLANGED AS PER ORDER
- 4) CERTIFICATED DRAWING WILL BE SUBMITTED ON RECEIPT OF ORDER.
- 5) MOC : CS / BRONZE / SS 304 / SS 316.

7	75 (3")	750 MM	250 MM
6	65 (2 1/2")	675 MM	250 MM
5	50 (2")	640 MM	200 MM
4	40 (1 1/2")	540 MM	200 MM
3	25 (1")	450 MM	150 MM
2	20 (3/4")	400 MM	100 MM
1	15 (1/2")	325 MM	100 MM
SR	SIZE NB	A MM	B MM

MFG. BY

TELEFLO INDIA PVT. LTD.

DRN. NO. : FOV/1186/2012